

86R-4B Oil Free Compressor



Features

- 100% oil free
- 100% duty cycle
- Compact and easy to use
- Easy maintenance
- Long-life, 2-year warranty
- 10,000 hours cup life at 8bar

Description

- 5µm air filtration
- Pressure regulator included
- Receiver with internal coating and 5-year warranty

Accessories

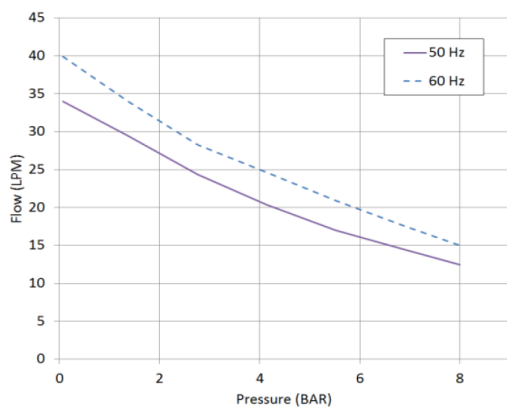
- Automatic drain of the receiver
- Drain bottle



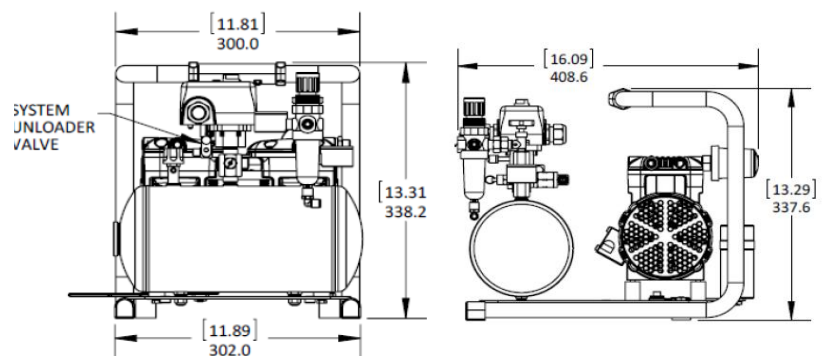
Product Specifications

Model	86R-4B			
Voltage	V	1x230	1x230	1x120
Frequency	Hz	50	60	60
Motor	HP	0.33	0.33	0.33
	kW	0.25	0.25	0.25
Displacement	l/min	34	40	40
Air flow @ 8bar	l/min	12.5	15	15
	cfm	0.44	0.53	0.53
Max. pressure	bar	8	8	8
	psi	120	120	120
Max. current	A	1.7	2.1	2.1
Receiver volume	litres	4	4	4
	gallon	1.05	1.05	1.05
Weight	kg	15.6	15.6	15.6
	lbs	34.4	34.4	34.4
Noise level	dB(A)/1m	55	58	58
Duty cycle		100%	100%	100%

Air flow / pressure curve



Dimensions - mm [inches] *





WolfLabs

Pricing on any accessories shown can be found by keying the part number into the search box on our website.

The specifications listed in this brochure are subject to change by the manufacturer and therefore cannot be guaranteed to be correct. If there are aspects of the specification that must be guaranteed, please provide these to our sales team so that details can be confirmed.

www.wolflabs.co.uk

Tel : 01759 301142

Fax : 01759 301143

sales@wolflabs.co.uk

Please contact us if this literature doesn't answer all your questions.